

Self Propelled 4x4 Access Platform 450AJ & 510AJ

Unit 16, London Industrial Park,
Eastbury Road,
Beckton,
London
E6 6LP

Phone: 020 7511 2090



- Up to 17.81m working height on 510AJ & 15.72m on 450AJ.
- Up to 9.48m outreach.
- 4x4 drive with oscillating axle for superb terrain performance.

Self Propelled 4x4 Access Platform 450AJ & 510AJ

Unit 16, London Industrial Park,
Eastbury Road, Beckton, London E6 6LP

W www.londontowerservice.co.uk

E info@londontowerservice.co.uk

F 020 7511 8060

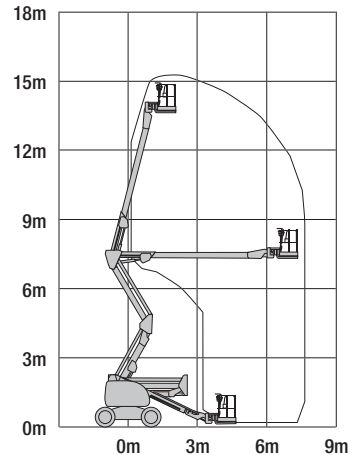
P 020 7511 2090

450AJ

510AJ

Dimensional Data		
Height - Working	15.72m (51ft. 7in.)	17.81 (58ft. 5in.)
Height - Platform	13.72m (45ft. 0in.)	15.81m (51ft. 10in.)
Horizontal Outreach	7.47m (24ft. 6in.)	9.48m (31ft. 1in.)
Up & Over Height	7.67 (25ft. 2in.)	
Swing (non continuous)	360 Degrees	
Platform Capacity	227kg (500lbs.)	230kg (507lbs.)
Platform Rotator (hydraulic)	180 Degrees	
Jib	1.24m (4ft. 1in.)	
Range of Articulation	145 Degrees (+78, -67)	
A. Platform Size	0.76m x 1.83m (30in. x 72in.)	0.76m x 1.83m (30in. x 72in.)
B. Width	2.08m (6ft. 10in.)	2.26m (7ft. 5in.)
C. Tailswing (working conditions)	Zero	Zero
D. Height - Stowed	2.26m (7ft. 5in.)	2.26m (7ft. 5in.)
E. Length - Stowed	6.53m (21ft. 5in.)	7.68m (25ft. 2in.)
F. Wheelbase	1.98m (6ft. 6in.)	2.34m (7ft. 8in.)
G. Ground Clearance	0.36m (14in.)	0.36m (14in.)
Performance Data		
Turning Radius - Inside	1.73m (5ft. 8in.)	2.00m (6ft. 7in.)
Turning Radius - Outside	4.27m (14ft. 0in.)	5.00m (16ft. 5in.)
Drive Speed 4WD	7.2km/h (4.5mph)	7.2km/h (4.5mph)
Gradeability 4WD	45%	45%
Axle Oscillation	20.3cm (8in.)	20.3cm (8in.)
Power System/Chassis		
Diesel Engine	50hp (37.2kw)	50hp (37.2kw)
Fuel Tank Capacity	62.5 L (16.5 gal.)	62.5 L (16.5 gal.)
Hydraulic Reservoir	113.6 L (30 gal.)	113.6 L (30 gal.)
Weight	7,450kg (16,424lbs.)	7,650kg (16,865lbs.)

450AJ



510AJ

